



# IP Phone X1/X1P

# Quick Installation Guide



## Fanvil Technology Co., Ltd

Tel: +86-755-2640-2199 Fax: +86-755-2640-2618 Email: sales@fanvil.com  
Add: 4F, Block A, Building 1#, GaoXinQi Hi-Tech Park (Phase-II), 67th District, Bao'An,  
Shenzhen, China 518101

# 1 Instruction

## Bracket installation

Please follow the instructions in below picture to install the device.

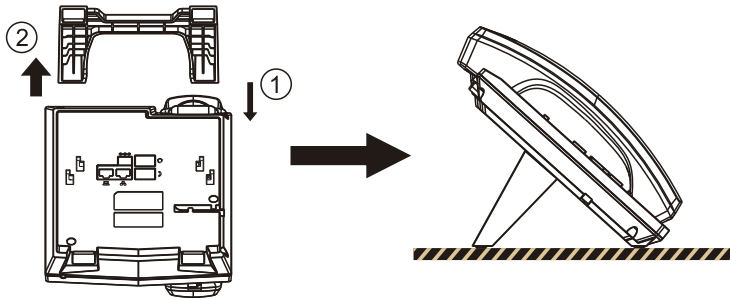


Figure 1 - Bracket installation

## Connecting to the Device

Please connect power adapter, network, PC, handset, and headset to the corresponding ports as described in below picture.

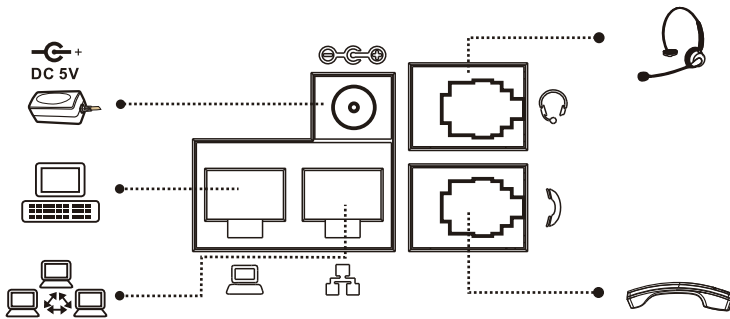


Figure 2 - Connecting to the Device

# 2 SIP Setting

## Login the homepage of the Device

User should open the device's web portal page by entering the device's IP address in a browser. To get the device IP address, user could press the soft-menu button [Menus] -> [Status]. The default username and password are both 'admin'.

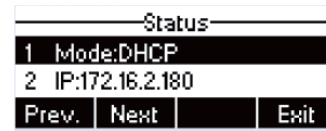


Figure 3 - Check the Device's IP Address



Figure 4 - Web Portal Login Page

## Add the SIP account

Set SIP server address, port, user name, password and SIP user with assigned SIP account parameters. Select "Activate", and then click Apply to save this setting.



Figure 5 - SIP Setting